

CAR LOOP KIT FITTING INSTRUCTIONS

Your car loop kit contains the following items:

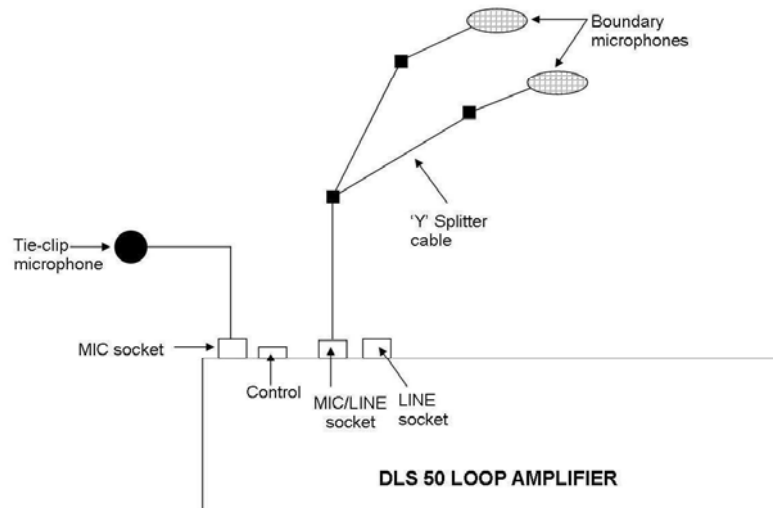
- 1 x UniVox DLS-50 loop amplifier
- 1 x Large loop pad
- 1 x Tie clip microphone with 4m lead
- 2 x Small boundary microphones
- 2 x Microphone extension leads
- 1 x Microphone splitter
- 1 x Cigarette lighter power lead
- 1 x Trim Tool
- Velcro pads
- Fitting Instructions

PROCEDURE

1. Place the DLS-50 loop amplifier either on the dashboard or in a place convenient to your model of car. Secure it using the Velcro pads provided.
- NB. In hot weather, it is not advisable to expose the amplifier to direct sunlight or high temperatures.**
2. Place the loop pad on the seat that is being occupied by the person who is wearing the hearing aid.
 3. Connect the lead from the loop pad to the socket marked "LOOP PAD" on the back of the amplifier.
 4. Connect the 12 volt power supply lead between your cigarette socket and the socket marked AC/DC on the amplifier.
 5. Place the small boundary microphones over the centre of the speakers and secure them using the Velcro pads with the holes cut in them. We recommend that you use the rear speakers (if fitted) to minimise engine noise. Connect these microphones to a Y or splitter cable and connect to the MIC/LINE socket of the amplifier (using the extension leads if required).
 6. Connect the tie clip microphone to the MIC socket of the amplifier. This input can be adjusted with the control that can be found next to the MIC socket.
 7. Switch on the ignition and check that you have a blue 'power on' indication on the front of the amplifier.
 8. Test the amplifier *with your hearing aid set to the 'T' position*. If it is working correctly, the blue "Loop" light will flash in synchronisation with your voice or with the sound of the radio or cassette.
 9. Adjust volume and tone controls to a comfortable level.
 10. Tidy away all leads to prevent health and safety risk.

If you experience any difficulty or would like further help or advice, please contact us.

Car Loop Fitting Instructions



Gordon Morris Ltd. also offer a Car Loop Interface Kit which must be fitted by an electrician. The interface kit works very effectively for people with severe hearing loss as it connects into the speakers so only the radio can be heard through the loop. For more information, please contact 01458 272121.